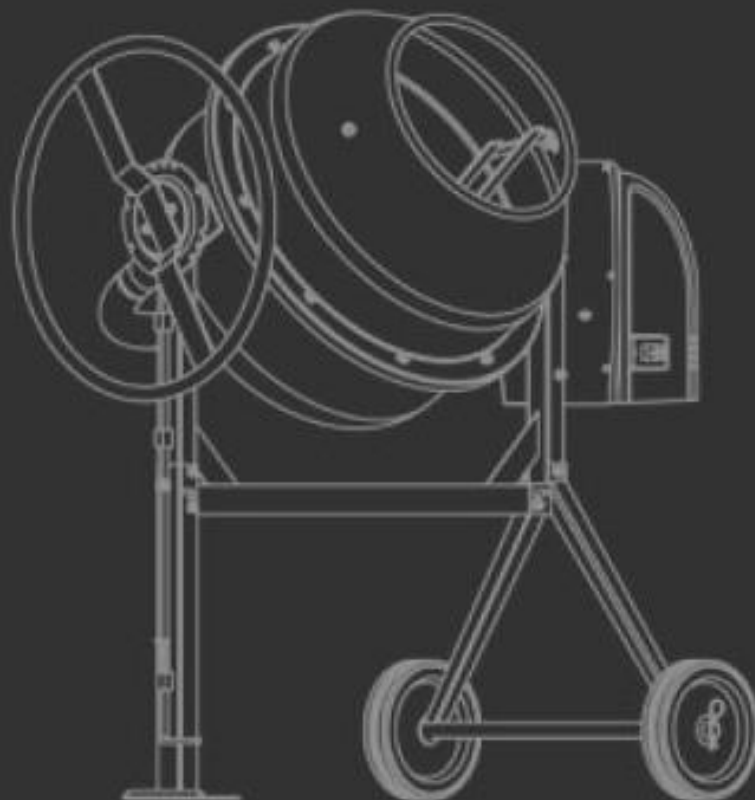


HYUNDAI
POWER PRODUCTS

CEMENT MIXER HYCM160

User Manual



INDEX

	CONTENTS	PAGE NO.S
1	SAFETY	3 - 8
2	PART LOCATIONS	9
3	PACKAGE CONTENTS	10
4	ASSEMBLY	11 - 14
5	ELECTRICAL CONNECTION	15
6	USING THE MACHINE	15 - 17
7	MAINTENANCE	18
8	SPECIFICATION	18
9	RECYCLING & PRODUCT DISPOSAL	19
10	DECLARATION OF CONFORMITY	20
11	CONTACT DETAILS	21
12	WARRANTY	21
13	MANUAL UPDATES	21

1. SAFETY

1.1 General Safety Notes.

- 1.2 The operator of the machine is responsible for, and has a duty of care in making sure that the machine is operated safely and in accordance with the instructions in this user manual. Keep the manual safe and pass it on if the machine is loaned or sold to another user.
- 1.3 Please note the following safety points.
- 1.4 The machine should never be left in a condition which would allow an untrained or unauthorised person/s to operate this machine.
- 1.5 All due care and diligence should be taken by the operator for the safety of and with regard to those around whilst using the machine.
- 1.6 Some or all of the following - warning signs, symbols and/or PPE pictograms may appear throughout this manual. You **MUST** adhere to their warnings. Failure to do so may result in personal injury to yourself or those around you.



DANGER

Indicates a hazard, which, if not avoided, could result in serious injury or death.



WARNING

Indicates a hazard, which, if not avoided, could result in serious injury.



CAUTION

Indicates a hazard which, if not avoided, might result in minor or moderate injury.



NOTE

Indicates a situation that could easily result in equipment damage.

READ and keep the manual safe and pass it on if the machine is loaned or sold to another user.

You **MUST** fully understand all instructions to ensure you use and operate the machine safely.

Appropriate Personal Protective Equipment (PPE), **MUST** be worn at all times when operating or repairing the machine.



HAND
PROTECTION
MUST BE WORN



EYE
PROTECTION
MUST BE WORN



PROTECTIVE
CLOTHING
MUST BE WORN



HEARING
PROTECTION
MUST BE WORN



FOOT
PROTECTION
MUST BE WORN



HEAD
PROTECTION
MUST BE WORN



RESPIRATOR
MUST BE WORN



FACE SHIELD
MUST BE WORN




- 1.10 **Carbon Monoxide (where applicable).**
- 1.11 Carbon monoxide is a colourless and odourless gas. Inhaling this gas can cause death as well as serious long term health problems such as brain damage.
- 1.12 The symptoms of carbon monoxide poisoning can include but are not limited to the following;
Headaches, dizziness, nausea, breathlessness, collapsing or loss of consciousness.
- 1.13 Carbon monoxide poisoning symptoms are similar to flue, food poisoning, viral infections and simply tiredness. It is quite common for people to mistake this very dangerous poisoning for something else.
- 1.14 To avoid carbon monoxide poisoning **DO NOT** use Petrol/Diesel powered equipment inside any of the following; Home, garage, tent, camper van, mobile home, caravan or boat. This is not exhaustive and if you are in any doubt contact your dealer.
- 1.15 If you think you have or someone around you has been affected by carbon monoxide poisoning;
- 1.16 Get them fresh air immediately, by leaving the affected area or by opening doors and windows. If safe and practical to do so make sure that the machine is turned off. **DO NOT** enter a room you suspect of having carbon monoxide present – instead call the emergency services.
- 1.17 Contact a Doctor immediately or go to Hospital – let them know that you suspect carbon monoxide poisoning.
- 1.18 **DO NOT** use in an enclosed area or moving vehicle.
- 1.20 **General Fuel Safety (where applicable).**



CAUTION

ALL FUELS ARE FLAMABLE

- 1.21 Fire Hazard – keep fuel away from all sources of ignition for example heaters. Lamps, sparks from grinding or welding.
- 1.22  **DO NOT** carry out hot work on tanks that have contained fuel.
- 1.23 **ALWAYS** keep the work area tidy.
- 1.24 **ALWAYS** clean up spills promptly using absorbent granules and a lidded bin.
- 1.25 **ALWAYS** dispose of waste fuels correctly.

1.30 Fueling/De-fueling (where applicable).



CAUTION

ALL FUELS ARE FLAMABLE

1.31 **ALWAYS** fuel and defuel in a well ventilated area outside of buildings.

1.32 **ALWAYS** wear correct, suitable and fit for purpose Personal Protective Equipment (PPE), suggested items are but not limited to safety gloves, overalls.



1.33 When fueling/de-fueling **ALWAYS** avoid inhaling fumes.

1.34 When de-fueling **ALWAYS** use a proper fuel retriever.



1.35 **ALWAYS** carry fuel in the correct and clearly marked container.

1.40 Electrical Safety (where applicable).

1.41 Electricity can kill – **NEVER** work on **LIVE/ENERGISED** equipment.

1.42 Prior to carrying out any maintenance work you **MUST** identify electrical isolation methods and isolate all electrical supplies.

1.43 Prior to use and with all electrical supplies isolated, you **MUST** check all electrical cables, plugs and connectors for the following;

1.44 Are intact and have no signs of damage, to include but not limited to bare wires, chaffing, cuts and loose wiring.

1.45 If there are any signs of damage, the damage item **MUST** be taken out of service until the damage has been repaired by an electrically competent person.


1.46 All trailing cables should be routed so as not to cause any kind of trip hazard.

1.47 **NEVER** work on or near electricity with wet hands, wet clothing and wet gloves.



1.50 Batteries (where present).


- 1.51 Batteries present a risk if they become damaged by the possible leaking of electrolyte. This electrolyte is an acid and can cause serious burn injuries. Care should be taken when working on or near them. **NOTE** the electrolyte may be in a liquid or gel form.
- 1.52 Should you come in to contact with electrolyte you should;
- 1.53 Remove all clothing contaminated with electrolyte. If you cannot remove then saturate them in water.
- 1.54 Get medical assistance as soon as possible. You must advise the medical staff of the type of acid.
- 1.55 Lead/acid battery = dilute sulphuric acid.
- 1.56 Nickel/cadmium = potassium hydroxide alkali electrolyte.
- 1.57 Use fresh running water to wash off excess electrolyte, continue this until medical assistance arrives. Make sure that you do not wash the electrolyte to another part of your body or face.
- 1.58 If electrolyte comes in to contact with Eyes the electrolyte needs to be immediately washed away with large amounts of water. Make sure that you do not wash the electrolyte to another part of your face or body.
- 1.59 Gasses from charging batteries are highly flammable and great care should be taken to charge in well ventilated areas.

- 1.59.1  There is an explosion risk if the battery terminals are short circuited, when connecting/disconnecting **ALWAYS** exercise great care so that the terminals or battery leads are **NOT** allowed to touch and cause a spark. **ALWAYS** use suitable insulated tools.

1.60 Vibrations (where applicable).

- 1.61 Prolonged use of hand held (operated) machines will cause the user to feel the effects of/from vibrations. These vibrations can lead to white finger (Raynaud's phenomenon) or carpal tunnel syndrome. This condition reduces the ability of the hand to feel and regulate temperature, causing numbness and heat sensations and may cause nerve damage and circulatory tissue death.
- 1.62 Not all factors that lead to white finger disease are known, but cold weather, smoking and other diseases that affect blood vessels and blood circulation as well as large and long-lasting impact of shocks are considered factors in the formation of white finger. Note the following to reduce the risk of white finger and carpal tunnel syndrome;
- 1.63 Wear gloves and keep your hands warm.
- 1.64 Take regular breaks.
- 1.65 All of the above precautions may help reduce the risk of white finger disease but not rule out the carpal tunnel syndrome. Long-term and regular users are therefore recommended to observe the condition of your hands and fingers. Seek medical attention immediately if any of the above symptoms should occur.

1.70 Noise (where applicable).

- 1.71 The operating noise of the machine can damage your hearing. Wear hearing protection such as earplugs or ear defenders to protect your hearing. Long-term and regular users are advised to have hearing checked regularly. Be especially vigilant and cautious when hearing ear protection because your ability to hear alarm warnings will be reduced.
- 1.72 Noise emissions for this equipment is unavoidable. Carry out noisy work at approved times and for certain periods. Limit the working time to a minimum. For your personal protection and protection of people working nearby it is also advisable for them to wear hearing protection.
- 1.73  See Certificate of Conformity section for Outdoor Noise declaration of conformity.

MACHINE SPECIFIC SAFETY

- 1.80 **General Machine Safety.**
- 1.81 Read the owner's manual carefully to understand how to operate this machine properly.
- 1.82 You should **NEVER** use the machine when;
- 1.83 Wearing loose clothing, barefoot or sandals.
- 1.84 Under the influence of drink or drugs or as a result of having taken medication for cold or flu, or any other times when a possibility exists that your judgement might be impaired or that you might not be able to operate the machine properly and in a safe manner.
- 1.85 Suffering from exhaustion or lack of sleep.
- 1.86 When the ground is slippery or when other conditions exist which might make it not possible to maintain a steady posture.
- 1.87 At night, at times of heavy fog, or at any other times when your field of vision might be limited and it would be difficult to gain a clear view of the area.
- 1.88 During rain storms, lighting storms, at times of strong or gale force winds, or at any other times when the weather conditions might make it unsafe to use this product.
- 1.89 **NEVER** run the engine indoors. The exhaust gasses contain harmful carbon monoxide.
- 1.90 When using this machine for the first time and before actual work, you **MUST** learn how to handle the machine from an experienced or skilled person.
- 1.91 Limit the amount of time using the machine continuously to somewhere around 10 minutes per session and take 10 to 20 minutes of rest between sessions. Also try to keep the total amount of work in a single day limited to 2 hours or less.
- 1.92 **NEVER** allow children or anyone unable to fully understand the directions given in this manual to operate this product.
- 1.93 Make sure you keep this manual handy so you may refer to it whenever questions arise and ensure you pass this manual on if the machine is loaned or sold.

1.94 Correct Personal Protective Equipment (PPE) **MUST** be worn at all times when operating or repairing this machine. This should include but is not limited to;



1.95 **DO NOT** use this machine inside a confined space such as but not limited to a vehicle, house, garage, container, boat or building. Only use outside in a well ventilated area.

1.96 For air cooling a minimum of 1m is required all around the machine.

1.97 Maximum ambient temperature 40 degrees Celsius.

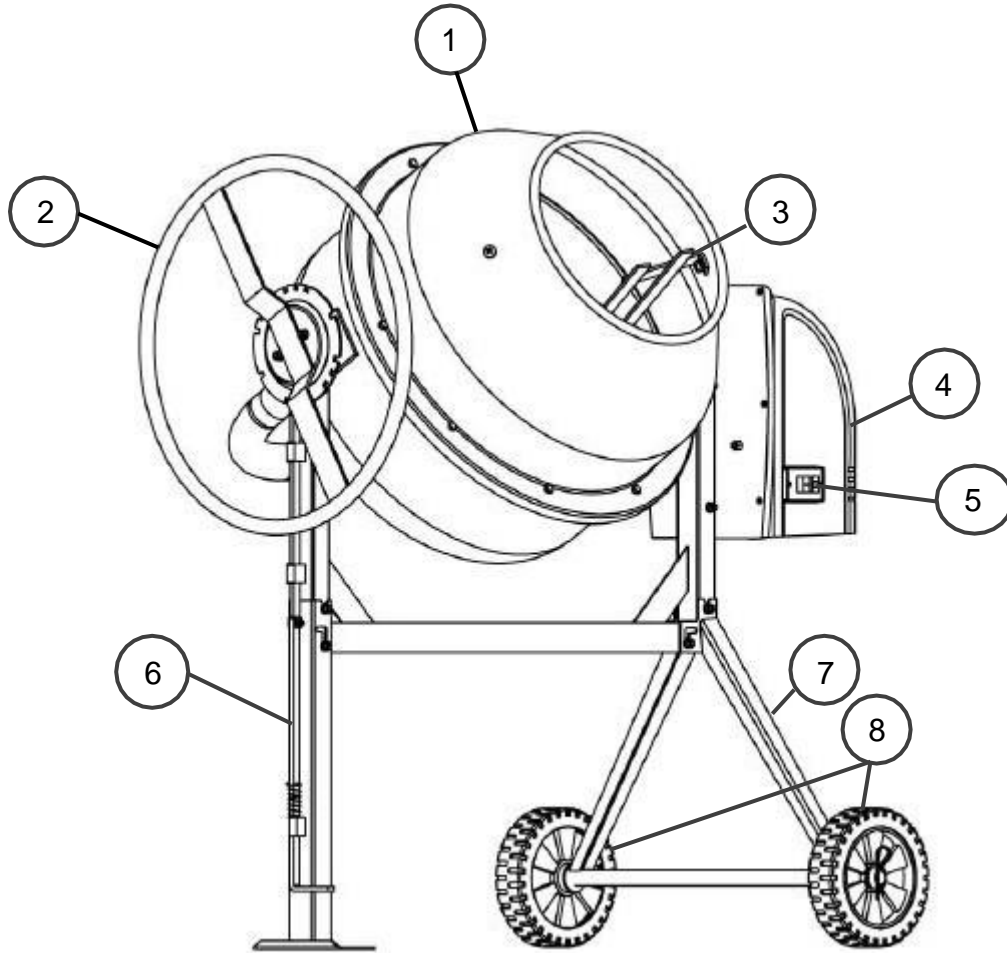
1.98 Fire risk- Fuel can expand and overflow in a hot environment or moving vehicle.

1.99 Explosion risk- LPG/ Petrol can leak and the vapour is heavier than air. Never store in confined spaces especially in a boat where the vapour/has will accumulate in the hull and create a high risk of explosion.

1.99.1 Carbon monoxide poisoning risk- Never run an engine in a confined space or poorly ventilated area. Keep the machine away from windows to prevent fumes entering the internal space. Carbon monoxide is produced by the engine and contained in the exhaust fumes. You cannot see it or smell it and it can kill you in minutes.

1.99.2 Never use inside a confined space with an exhaust extension. If the exhaust extension fails the escaping exhaust gases could kill you.

2. PART LOCATIONS

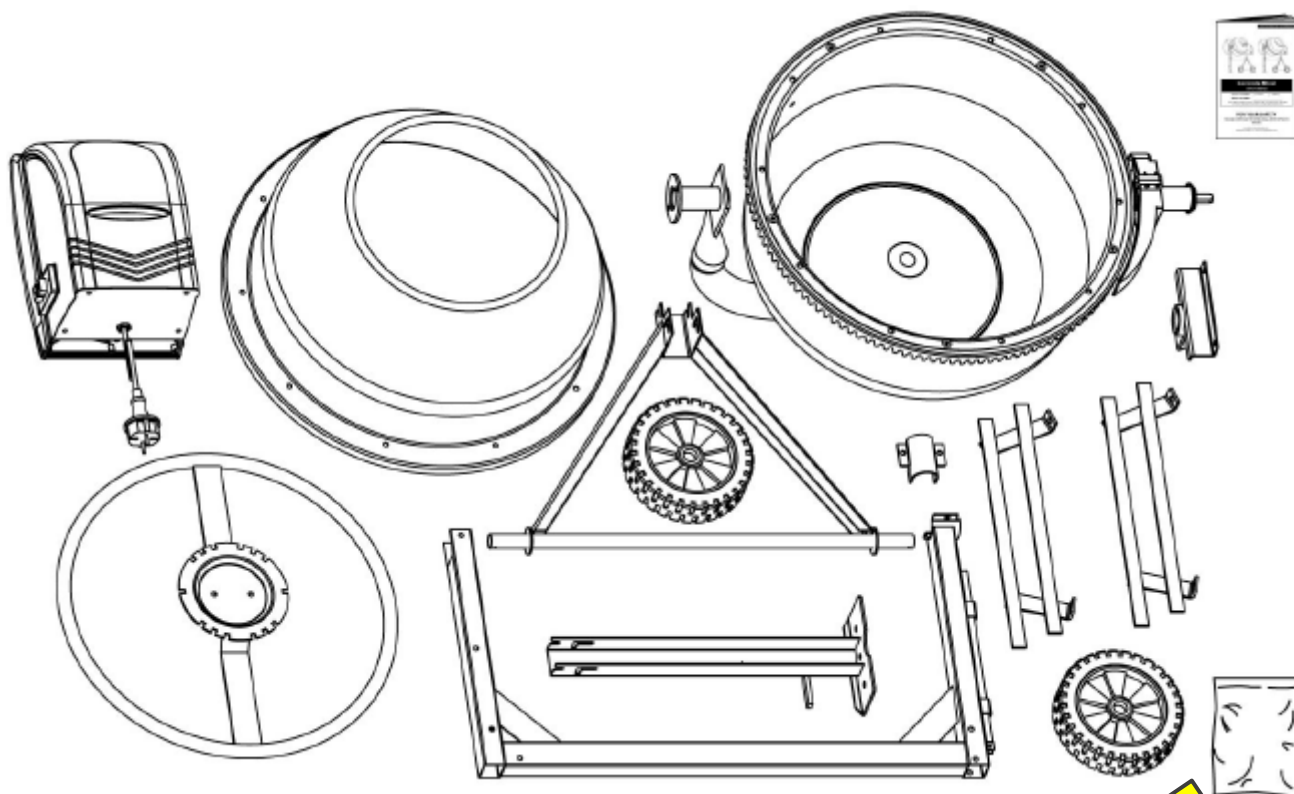














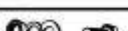


1	Drum	5	Power Switch
2	Tilt Wheel	6	Support Leg
3	Mixing Paddles	7	Frame
4	Engine Housing / Transmission Case	8	Wheels

3. PACKAGE CONTENTS

NOTE

Please check all parts are present before assembly.
If any parts are missing, please contact us.



		x 2	A
		x 1	
	M8 x 70	x 2	B
	M6 x 25	x 1	
		x 1	
	M8 x 70	x 2	C
	M8 x 20	x 2	
	M8 x 65	x 1	D
	Ø42	x 1	
	M10 x 20	x 2	E
	M10 x 20	x 2	F
	M8 x 16	x 10	
	M8 x 20	x 2	G
	M8 x 70	x 1	
	M8	x 2	H

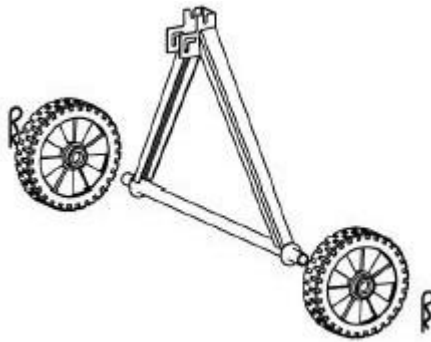
4. ASSEMBLY



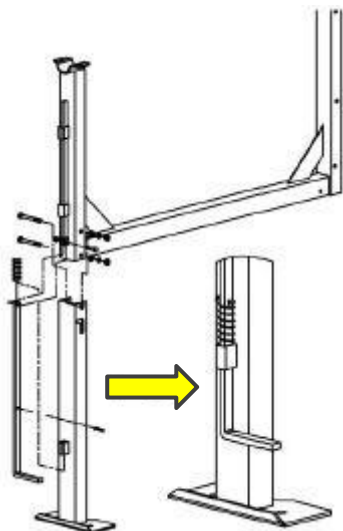
NOTE

2 person assembly is recommended.

- 2.0 Slide the 2 wheels over the stub axles.
- 2.1 Secure in place with the clips.

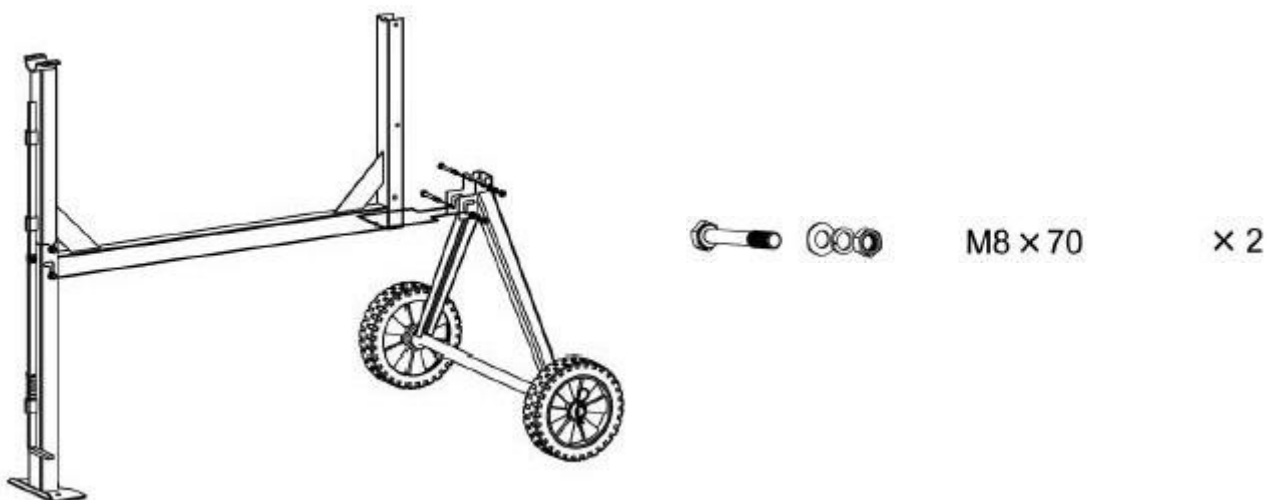


- 2.2 With the frame lying on its side, attach the support leg as shown.
- 2.3 Insert two M8x70 hex bolts through the holes from one side then flat washers, lock washers and nuts from the other side.
- 2.4 Slide the spring on to the lower plunger rod and connect the two plunger rods with an M6x25 hex bolt and nut.
- 2.5 Hold the spring in place by inserting the split pin, bend each side of the pin outwards and tighten down.

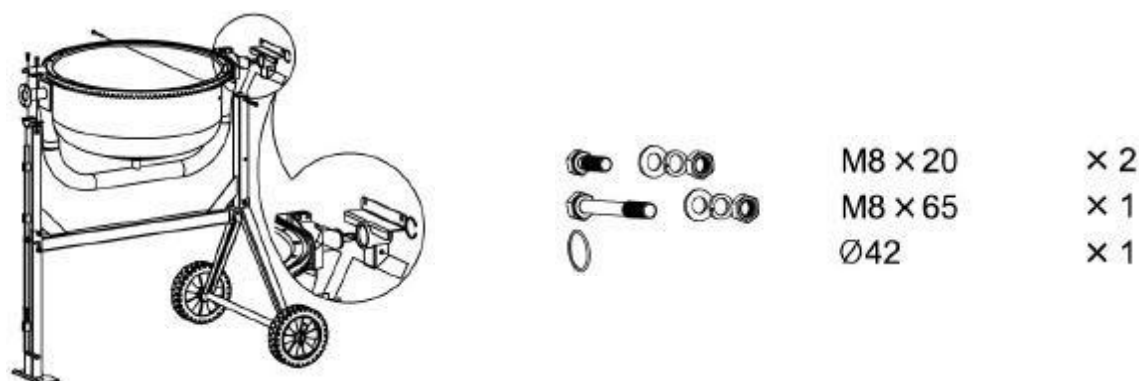


		× 1
		× 2
		× 1
		× 1

- 2.6 Turn the frame over and attach the axle bracket with wheels in the same manner.
 2.7 Make sure all the nuts and bolts are tightened.



- 2.8 Slide the bottom bearing block onto the shaft and hold it in place with Ø42 spiral ring.
 2.9 Carefully, with 2 people, set the bottom drum with support arm onto the side supports of the stand shown, so that the bearing block slots into the channel provided by the side support while the larger diameter shaft sits on the bottom bracket.
 2.10 Line up the holes in the side support with those in the bearing block and insert an M8x65 hex bolt from one side, then a flat washer, lock washer and nut from the other side.
 2.11 Place the upper bracket on the large diameter shaft with the holes lining up with the ones in the bottom bracket.
 2.12 Insert two M8x20 bolts through the holes, then the flat washers, lock washers and nuts from below.
 2.13 Tighten securely.



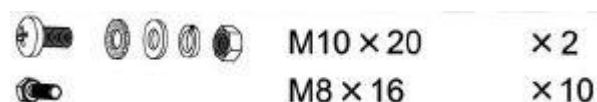
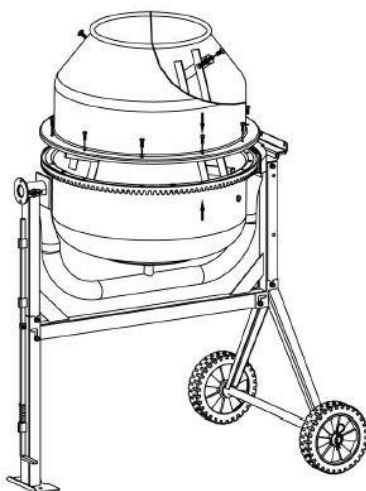
- 2.14 Mount the mixing blades inside the bottom drum loosely as shown.
- 2.15 Two holes are provided at the base of the drum into which an M10x20 cross head screw can be inserted from the outside.
- 2.16 A sealing washer, flat washer, lock washer and nut should be threaded on loosely on the inside.
- 2.17 The sealing washer should be placed under the blade down against the drum.



! NOTE

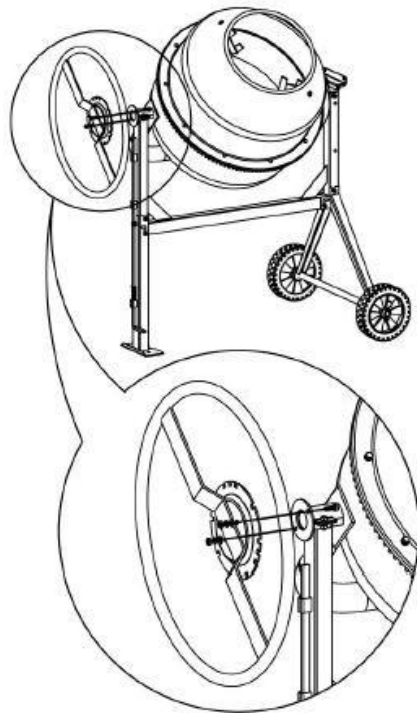
Two arrows are marked on the upper drum and bottom drum to allow you to align them correctly. This is important to ensure the holes for the mixing blades are aligned. If you have any difficulty in correctly positioning the mixing blades, it is helpful to temporarily mount the upper drum onto the lower drum, rotating it so that the two arrows line up.

- 2.18 Lay the rubber gasket on the bottom drum upper face. Position the upper drum on the lower drum over the rim, making sure the mounting holes align in both, as well as the arrows.
- 2.19 Screw an M8x16 hex bolt with lock and flat washers into each threaded hole in the rim/ring gear. Make sure the tightening process is carried out progressively.
- 2.20 Secure the mixing blades to the upper drum by inserting two M10x20 cross headed screws from the outside through the holes in the drum.
- 2.21 A sealing washer should be positioned inside, between the drum and the blade. Secure the mixing blade on the inside using a flat washer, spring washer and nut.
- 2.22 Finally, ensure the top and bottom mixing blade mountings are tight.



2.23

Install the rotating wheel with locking plate on the frame with two M8x20 hex bolts each with a flat washer, lock washer and nut.



M8 x 20

× 2

2.24

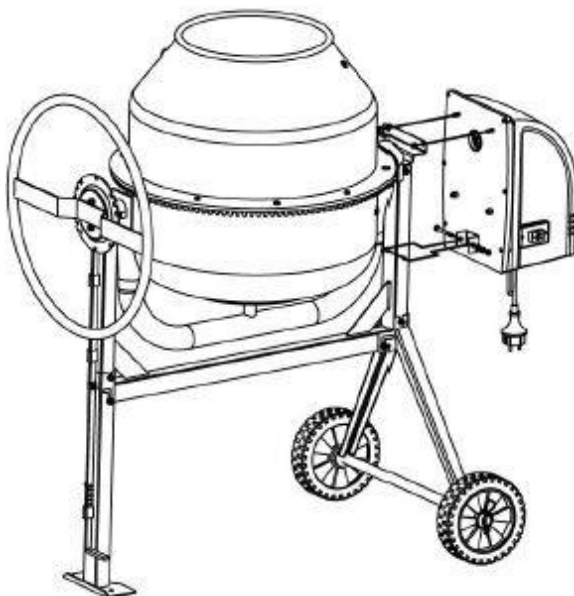
Lining up the keyways, slide the transmission case over the pinion shaft.

2.25

Screw a nut with flat and lock washers on each stud bolt.

2.26

Secure the lower case bracket to the side support frame by inserting an M8x70 bolt from one side, then a flat washer, lock washer and nut from the other side.



M8 x 70

× 1

M8

× 2

5. ELECTRICAL CONNECTION

WARNING

DO NOT connect either core to the earth pin.

- 3.0 The mixer is double insulated to Class II protected and IP45D rated.
- 3.1 The insulation will only remain effective if the original insulating parts are used for repairs and the spaces between the original insulation are maintained.
- 3.2 Double Insulation eliminates the need for the three wire ground cord and grounded power supply system.
- 3.3 Double Insulated tools can use either a two or three wire extension cord.
- 3.4 The Double Insulation symbol is denoted by this symbol



6. USING THE MACHINE

WARNING

Completely unwind the extension cord. Connect it to the concrete mixer first before plugging in the power supply.

WARNING

ALWAYS start the mixer **BEFORE** loading the drum.
Load the drum with the drum rotating.

WARNING

DO NOT throw material into the mixer to prevent it from sticking firmly to the back of the drum.
Instead load the drum slowly.

WARNING

DO NOT turn the mixer off while the drum is full. Empty the drum while the drum is rotating.

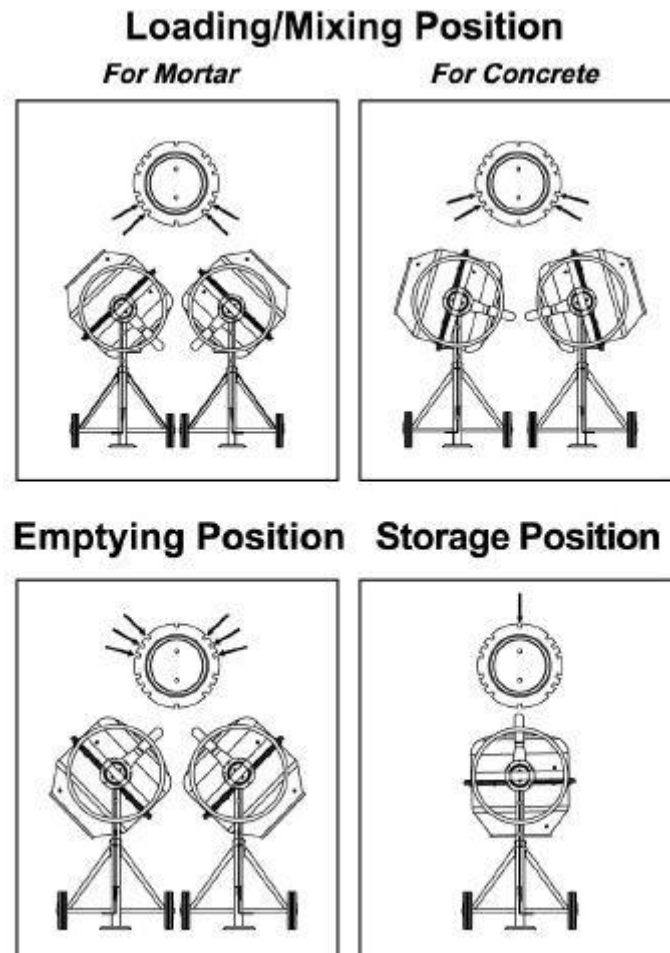
WARNING

NEVER place your hands inside the drum with the drum rotating.

- 4.0 Add the required amount of gravel to the drum.
- 4.1 Add the required amount of cement to the drum.
- 4.2 Add the required amount of sand to the drum.
- 4.3 Add the required amount of water to the drum.
- 4.4 Allow the mixer to do the work, **DO NOT** insert a spade or shovel into the drum to try and assist the mixing.

- 4.5 Keep a proper footing and balance at all times when loading or unloading the mixer.
- 4.6 **NEVER** stand on the mixer.
- 4.7 Serious injury could occur if the mixer is tipped or if the moving parts are unintentionally touched.
- 4.8 **DO NOT** store anything above or near the mixer that anyone might stand on the mixer to reach them.
- 4.9 Keep your hands clear of all moving parts.
- 4.10 **DO NOT** place any part of your body or any tool in to the drum during operation.
- 4.11 When operating do not pass hands through the clearance between frame and support arm or the space between the drum and the support arm.
- 4.12 **ALWAYS** work within the rated capacity.
- 4.13 **DO NOT** start the drum if the drum is fully loaded.
- 4.14 **DO NOT** turn the mixer off if the drum is full.
- 4.15 **DO NOT** use the mixer for a purpose for which it was not intended.
- 4.16 The mixer is not to be towed behind any vehicle.
- 4.17 **NEVER** leave the mixer running unattended.
- 4.18 **ALWAYS** allow the mixer to come to a complete stop before leaving.
- 4.19 **NEVER** open the motor cover before unplugging the mixer.
- 4.20 Disconnect from the power supply when not in use, before moving, making adjustments, changing parts, cleaning or working on the mixer.
- 4.21 Consult technical manual before servicing.
- 4.22 Clean the mixer immediately after use, keep the mixer clean for best performance.
- 4.22 **DO NOT** pour or spray water directly over the motor cover.
- 4.33 Remove all traces of material from the drum to avoid more material adding to it.
- 4.34 **DO NOT** use bricks to clean the drum.
- 4.35 **DO NOT** beat on the drum with a shovel, hammer or other tools to break up accumulations of dried material as this can damage the machine and will not be covered by warranty.
- 4.36 The drum can be cleaned using 1" gravel and water for approximately 2 minutes.
- 4.37 **NEVER** carry or move the mixer by its power cord or yank it to disconnect from the socket.
- 4.38 Extension cords must be no longer than 50 meters in length.
- 4.39 The wire section must be at least 1.5mm² on 230v to allow sufficient current flow to the motor.
- 4.40 Improper use of extension cords may cause inefficient operation of the mixer which can result in overheating or motor damage and not be covered by warranty.
- 4.41
- 4.42 Only extension cords to H07RN-f specification intended for outdoor use may be used.
Connections must be made with protected material suitable for outdoor use.

- 4.43 Make sure that any extension cords are dry and safe.
- 4.44 Always fully unravel an extension cord before use.
- 4.45 Make sure the extension cord cannot get trapped or snagged on any sharp or wet materials.
- 4.46 The use of a Residual Current Device (RCD) on 230v electrics is recommended. If using an extension cable, plug it directly into the RCD.



- 4.47 **DO NOT** plug or unplug the motor while standing in or around damp wet ground.
- 4.48 **DO NOT** use the mixer in wet or damp areas or expose it to rain.
- 4.49 Keep unauthorised persons away from the mixer.
- 4.50 **DO NOT** allow children to handle or climb on or in the mixer.

7. MAINTENANCE



WARNING

ALWAYS unplug the mixer and make sure it has come to a complete stop before carrying out any maintenance.

Maintenance to be carried out by certified personnel only.

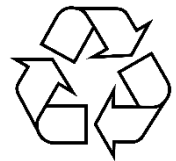
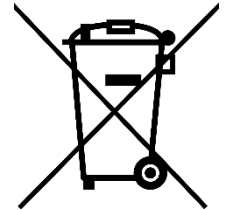
- 5.0 Thoroughly clean the mixer at the end of each day's operation.
- 5.1 The slightest trace of material left in the drum will harden and attract more each time you use it.
- 5.2 Dried cement should be scraped out of the drum.
- 5.3 **DO NOT** throw bricks into the mixer drum to clean it out.
- 5.4 **DO NOT** beat on the drum with a shovel, hammer or any other tool.
- 5.5 The drum may be scoured for approximately 2 minutes using a mixture of 1" gravel and water.
- 5.6 The drive belt is under constant tension by a spring loaded jockey pulley. No adjustment is required apart from a touch of grease on the spindle.
- 5.7 The bearings are sealed for life.

8. SPECIFICATION

Model Number	HYCM160
Motor	650W
Drum Capacity	160
Drum Mouth	390mm
Drum Speed	29.5 rpm
Dimensions (L x W x H)	1260 x 850 x 1350 mm
Net Weight	63 Kg
Gross Weight	67.35 Kg

9. RECYCLING & PRODUCT DISPOSAL

- 6.0 We do not offer a takeback scheme for the recovery of Waste Electrical Electronic Equipment (WEEE) & Batteries.
Instead the responsibility to dispose of WEEE and or Batteries is passed onto you by us.
So when it becomes necessary to dispose of your machine you must take it to your local Civic Amenity Site.
For further information please contact your local Authority for disposal advice.
- 6.1 You **MUST** make sure that all unused oil and fuel is disposed of correctly either beforehand or at your local Civic Amenity Site.
Under NO circumstances must any fuel or oil be put down any drains.
- 6.2 Certain products contain WEEE waste which should not be disposed of in your domestic waste.
- 6.3 You **MUST** recycle WEEE in accordance with your local authority or recycling centre.
- 6.4 Certain products contain batteries which should not be disposed of in your domestic waste.
- 6.5 You **MUST** recycle batteries in accordance with your local authority or recycling centre.
- 6.6 Unwanted packaging and materials should be stored and taken to a recycling centre so it can be disposed of in a manner which is compatible with the environment.
- 6.7 The following symbol means that you should 'Reduce – Reuse – Recycle'.
- 6.8 We are a Member of the VALPAK National Compliance Scheme and our registration number is **RM08660**
- 6.9 For further information about disposal please contact your Local Authority.
- 6.10 You can also get more advice and guidance about recycling at the following website <http://www.recycle-more.co.uk>
- 6.11 Should you pass this product on to another user either sold or loaned, you **MUST** pass on this user manual.
This will make sure that all other users can use and maintain this machine safely.



10. DECLARATION OF CONFORMITY

Genpower Ltd confirms that this P1PE petrol pressure washer conforms to the following CE directives:

2006/42/EC Machinery Directive
2004/108/EC EMC Directive
2000/14/EC Noise Emissions Directive
2014/35/EU Low Voltage Directive

EC DECLARATION OF CONFORMITY

The undersigned. As authorised by: **Genpower Ltd**
Declares that the following equipment manufactured under licence by Hyundai Korea

Conforms to the Directive:-
2000/14/EC (as amended)

Of the European Parliament and of the council on the approximation of the laws of the Member States relating to the noise emission in the environment by equipment for the use outdoors.

Equipment Category: **Power Equipment**
Product Name/Model: **HYMC160**
Type/Serial No: **Cement Mixer**
Net installed power: **650w**
The technical documentation is kept by: **Roland Llewelin, Genpower Ltd
Isaac Way, Pembroke Dock,
Pembrokeshire, SA72 4RW.**

The conformity assessment procedure followed was in accordance with annex V of the Directive.

Notified Body: **TüV SüV Product Service GmbH
Zertifizierstelle, Riddlerstraße, 65
80339 MÜNCHEN, Germany.
Certification n° M8A 13 07 84794001**

Measured Sound Power Level: **88dB**

Guaranteed Sound Power Level: **88dB**

A copy of this certificate has been submitted to the European Commission and the EU Member State United Kingdom.

Place of Declaration: **Pembroke Dock, SA73 4RW**

Date: **07/03/2018**

Signed by: **Roland Llewelin**



Position in Company: **Managing Director**

Name and address of manufacturer or Authorised representative:

**Genpower Ltd
Isaac Way, Pembroke Dock,
Pembrokeshire, SA72 4RW**

11. CONTACT DETAILS

7.0	POSTAL ADDRESS	Genpower Ltd, Isaac Way, London Road, Pembroke Dock, Pembrokeshire. SA72 4RW. UK.
7.1	TELEPHONE	+44 (0) 1646 687880
7.2	FAX	+44 (0) 0164 686198
7.3	TECHNICAL EMAIL	aftersales hyundaipowerproducts.co.uk
7.4	WEBSITE	www.hyundaipowerproducts.co.uk

12. WARRANTY

Proof of purchase will be required before you make a warranty claim.
Full warranty terms and conditions can be found on the HYUNDAI
POWER PRODUCTS website:
www.hyundaipowerproducts.co.uk

13. MANUAL UPDATES

- 8.0 Our manuals are constantly being reviewed and updated.
However if you find an error, omission or something you find unclear, please
contact your dealer for assistance.
- 8.1 Our latest manuals are also placed online.
- 8.2 We reserve the right to make any modifications without prior notice whenever
necessary.

HYUNDAI

POWER PRODUCTS

Importer:

GENPOWER LTD

Isaac Way, London Road

Pembroke Dock, UNITED KINGDOM, SA72 4RW

T: +44 (0) 1646 687 880 F: +44 (0) 1646 686 198

E: info@hyundaipowerproducts.co.uk

www.hyundaipowerproducts.co.uk

Imported/Distributed by GENPOWER LTD for The United Kingdom & Ireland

Licensed by Hyundai Corporation, Korea